

Technical Data Sheet

Applicators

Product Description

Felt applicators, steel/wool, 20 dia x 130 mm

Application Areas

For applying liquids (e. g. primer/cleaner) to the inside face edge of automotive glazings prior to installation.

Specifications

Type/Construction: Applicators, comprising woollen head attached to zinc coated steel wire handle.

Material: Handle = Steel wire zinc coated, 1,8 mm dia
Application head = 100% pure unspun new wool

Weight: 4,0 g / \pm 0,4 g

Length: 130 mm / \pm 2 mm

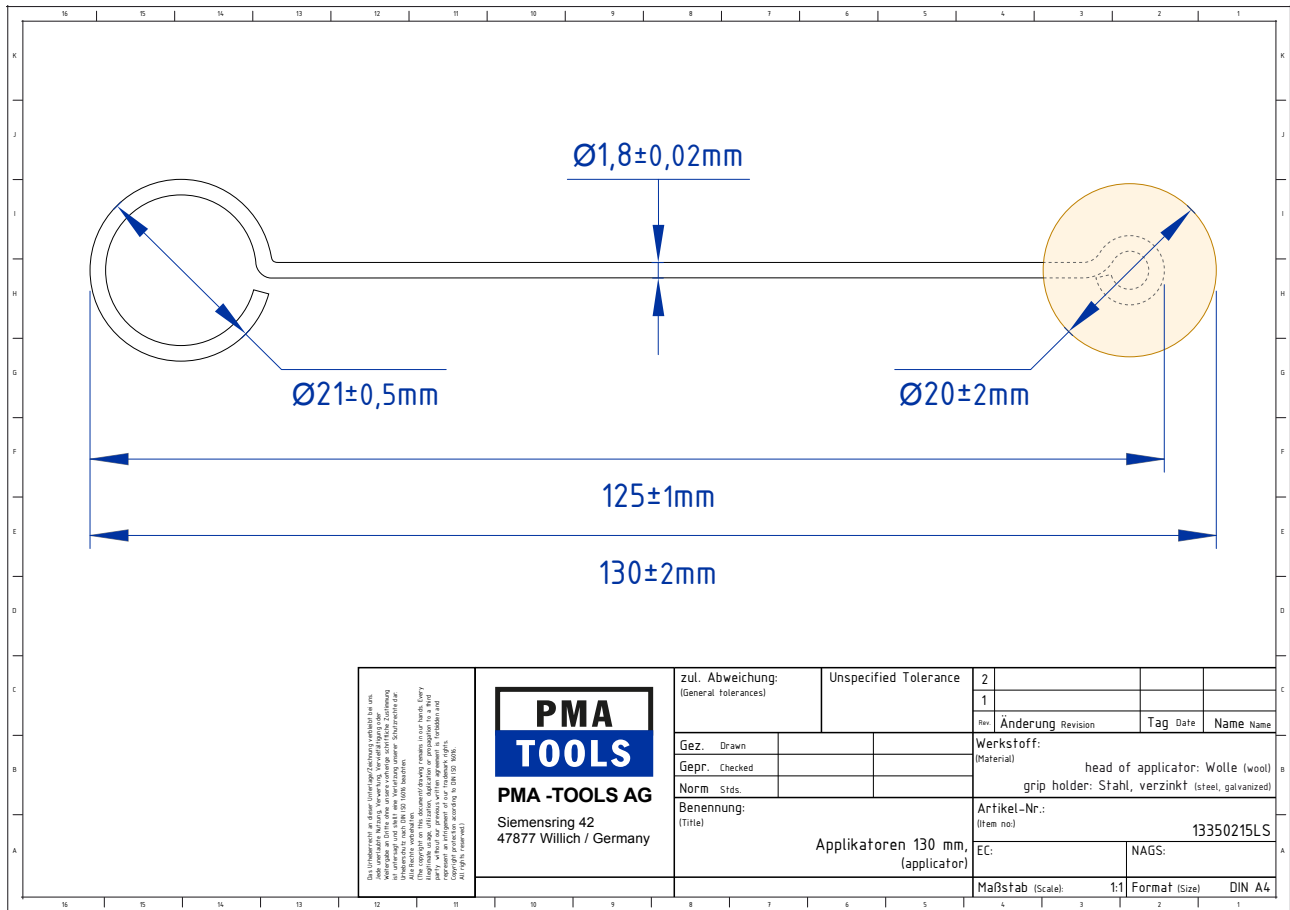
Diameter: 20 mm / \pm 2 mm

Geometrical measurements:

Overall length	= 130 mm	\pm	2 mm
Handle length	= 110 mm	\pm	1 mm
Application head	= 20 mm dia	\pm	2 mm
Wire handle	= 1,8 mm dia	\pm	0,02 mm

Container/packaging units

Loosely packed in cardboard cartons of 10, 12, 25, 100 or 4.000 pieces each. Carton has one label detailing part number and quantity.



Disclaimer

Please note:
 The aforementioned recommendations for applying and using our products are based on our current knowledge and experience under normal operating conditions and providing that these products have been stored, handled and applied correctly. The information represents our state of knowledge at the time this notice was printed. As we continually seek to improve our products we reserve the right to modify product specifications and processing instructions accordingly and the latest technical data sheet will apply. Therefore in each case, the user should check whether the products are suited for their intended purpose and ascertain beforehand from PMA/TOOLS whether there have been any modifications to the product specifications. Whether due to variations in materials, changes to base products or deviation in working practices etc., no guarantee for any particular work result shall be provided and all liability for these instructions or other oral instructions is excluded. In addition, our General Terms and Conditions of Business shall apply. This exclusion of liability does not apply to the circumstances described in points 6.4 to 6.6 of our General Terms and Conditions of Business.